

PH25-L Micro Pulsation Pump Head



Quick Tube Change



Stainless Steel Rotors



Moderate Pulsation

Microlit PH25-L pump head flow range 0.31~6000mL/min, suitable for 15#, 24#, 35#,36# tube, can be cascade multiple pump heads. Easy, fast load and replace tubes.

The rollers adopts 304SS, excellent mechanical properties, can work continuously at high speed for a long time.

The shell adopts kinds of material, suitable for various working environment.

Description

Pump Head Material: Aluminium Alloy

Shell: PPS,PC,AL

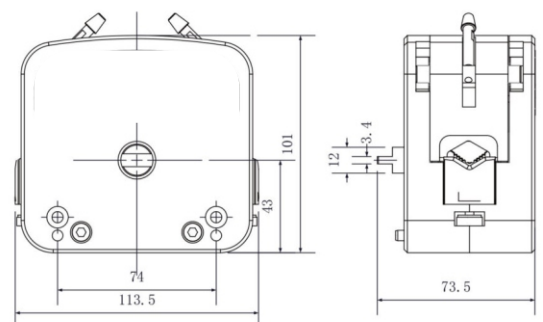
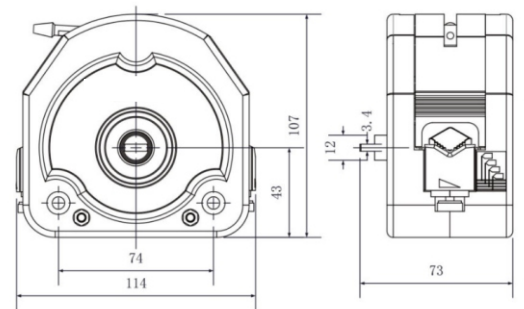
Roller: SS304

Roller shaft: SS304

Upper holder block: PPS, AL

Stackable to 4 Units

Flow Rate Parameters				
Tube material:Silicone,Pharmed,Viton,Chemical,A-60-G/F,etc.				
Wall thickness:2.4mm				
ID(mm)	4.8	6.4	7.9	9.6
Tube	15#	24#	35#	36#
mL/rpm	3.1	5.3	7.7	11
mL/min (continuous working max 100 rpm)	1860	3180	4620	6000



For more information please email us at info@microlit.com